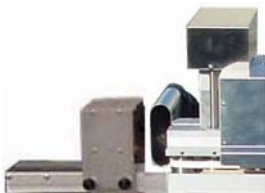


VERTICAL CONVEYORIZED BAND SEALING SYSTEM VCBSDM-1/8TX-6X5

- USDA approved Vertical Rotary Band Sealing System with Bag Top Trimmer and Lower Carry Synchronized Conveyor. With synchronized dual motor drive!!
- Supplied with Lower Carry Belts and interfaced Variable Speed Conveyor, 6" wide x 5' long with fully adjustable stainless steel Guide Rails. Adjustable height Sealing Assembly Floor Stand with crank handle and Vacuum System for trim scrap removal is standard.
- This continuous band sealer will seal and trim Tyvek®, Foil, Polyethylene, Polypropylene, Nylon, Coextrusion, poly laminates and poly-coated paper materials.
- Smokeless and odorless sealing and trimming.
- Variable speeds up to 720 inches per minute (60 fpm) with ultra-quiet 3 phase gear motor drive package.
- Quality seals of 1/8", 1/4" or 3/8" wide are achieved through the use of special heavy duty wear-resistant laminated Teflon bands.
- Digital Temperature Control with PID Autotune maintains consistent heat and assures quality hermetic seals.
- Unit is designed with 5" long heating zone and 5" long cooling zone for greater flexibility in product sealing of difficult materials with temperatures up to 500 degrees Fahrenheit.
- Hard Chrome plated sealing bars followed by Nickel plated cooling bars allow for maximum wear resistance.
- Electrical 110 VAC 10 amps/ 60 Cycle. No compressed air required.



- Optional one or two line Embossing Coder for product marking is available upon request.



- Optional Casters (shown) for easy positioning are available upon request.



- Optional Infeed Conveyor support heavy or bulky packages for final seal and trim is available upon request.



- System available mounted on 4' high adjustable floor stand, may complement your existing conveying equipment by positioning the Sealing System over it and adjusting the PMDC variable speed drive to match. Model VBS-1/8TX is available upon request.
- Custom configurations are available, inquire with our Sales Department with your application.



OVER 50 YEARS OF SUCCESSFUL PACKAGING EXPERIENCE

ALL PACKAGING MACHINERY, CORP.

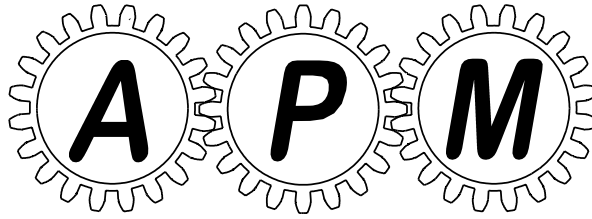
90 13th Avenue, Ronkonkoma, NY 11779

(631) 588-7310 Fax (631) 467-4690

Call Toll Free 1-800-637-8808

www.allpackagingmachinery.com

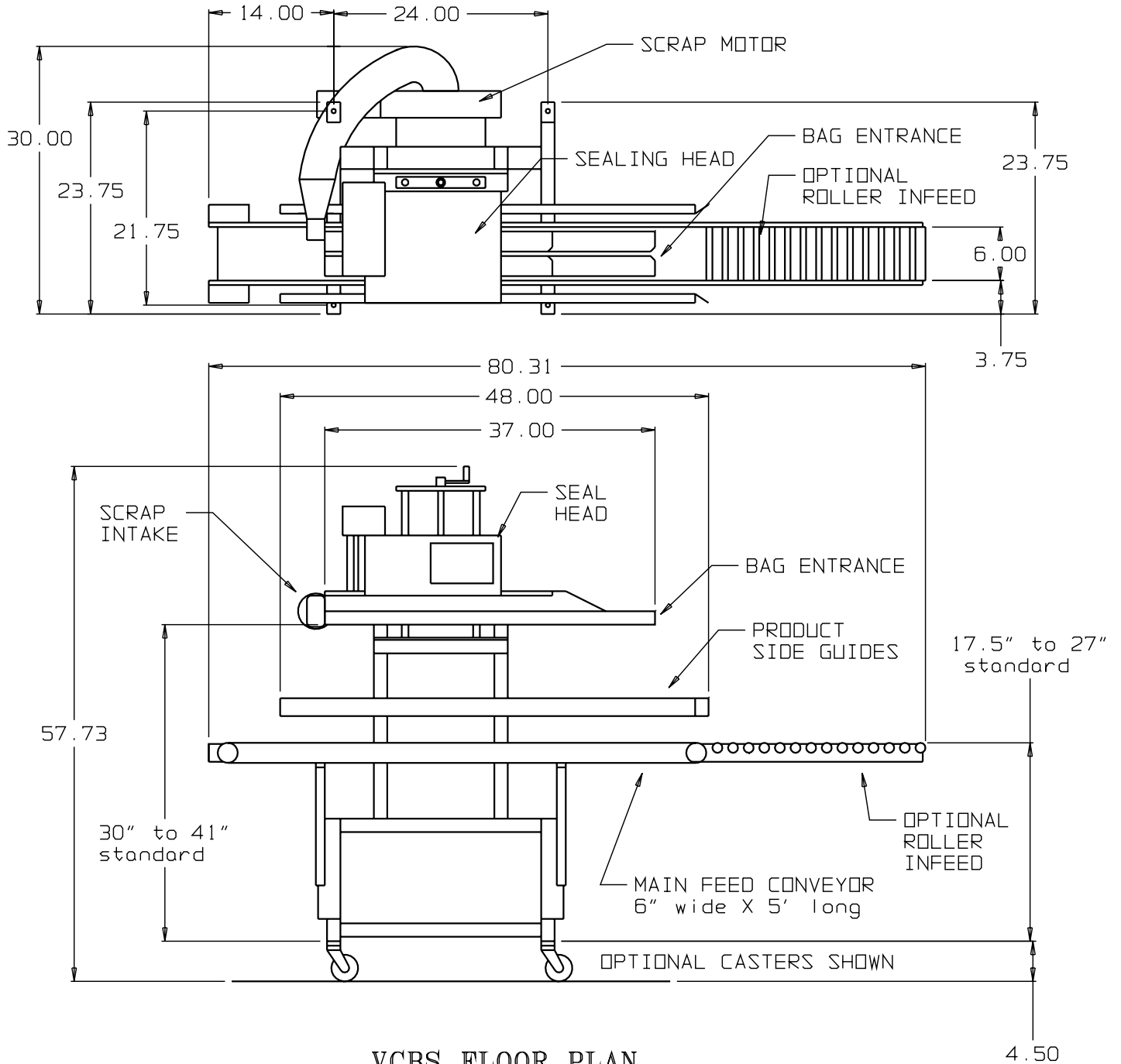
(631) 588-7310
 1-800-637-8808
 Fax: (631) 467-4690



Machine Designers
 & Manufacturers of:
 Bag Opening & Filling
 Bag Sealing
 Rotary Conveyorized
 Band & Trim Sealers
 Textile Folding Machinery

ALL PACKAGING MACHINERY, CORPORATION

90 13th AVENUE RONKONKOMA, N.Y. 11779



VCBS FLOOR PLAN
 ALL DIMENSIONS ARE IN INCHES.

115 VAC 10 amps

FILE: VCBS_FLOORPLAN.PRT

NOTE: DIMS SHOWN ARE STANDARD.
 CUSTOM SIZES ALWAYS AVAILABLE
 LEVELING PADS STANDARD